



Outperform every day.™

Project:
Item Number:
Quantity:

MEDIUM-DUTY ELECTRIC SLICERS



40950



40951

Medium-Duty Electric Slicers

DESCRIPTION

The Vollrath Medium-Duty Electric Slicers are available with either a 10" or 12" blade. They are ideal for slicing meats in medium-volume operations and small restaurants.

ITEMS

| Item No. | Model No. | Description |
|----------|-----------|-----------------------------|
| 40950 | SLM250/S | 10" Medium-Duty Slicer, 25° |
| 40951 | SLM300P/S | 12" Medium-Duty Slicer, 25° |

FEATURES

- QuanTanium® coated non-stick plate increases glide performance and reduces clean-up time
- Built-in sharpener
- 25 degree gravity feed maximizes productivity by reducing operator fatigue and discomfort
- Safety hand guard mounted to the carriage
- Safety cover under the motor
- Hard coated anodized aluminum body
- Non-marking, non-skid rubber feet
- Belt driven. Durable, long-wearing belt provides reliable service.
- Slice adjustment knob for precise and consistent slice thickness
- Removable carriage for easy cleaning
- 6'4" (1.9 m) cord with plug

40950

- 1/3 peak HP motor
- 10" blade
- Space-saving design with small footprint
- Easy to carry for catering needs

40951

- 2/5 peak HP motor
- 12" blade
- Permanent blade rim guard for safety
- Great cutting capacity within a compact footprint

ACCESSORIES

- 40898 - 10" safe blade removal tool, fits 40950
- 40893 - 12" safe blade removal tool, fits 40951
- 40899 - Carriage handle for Quebec, fits 40950 and 40951

Warranty

1 year on parts, 1 year on labor and 5 years on the belt. See Vollrath.com for full warranty details.

Agency Listings



Certified to NSF/ANSI 8

Due to continued product improvement, please consult www.vollrath.com for current product specifications.

| Approvals | Date |
|-----------|------|
| | |



Outperform every day.™
www.vollrath.com

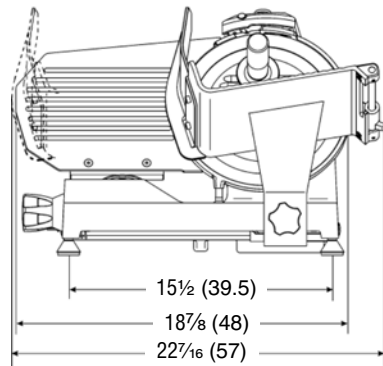
The Vollrath Company, L.L.C.
1236 North 18th Street
Sheboygan, WI 53081-3201 U.S.A.
Main Tel: 800.624.2051 or 920.457.4851
Main Fax: 800.752.5620 or 920.459.6573
Customer Service: 800.628.0830
Canada Customer Service: 800.695.8560

Technical Services
techservicereps@vollrathco.com
Induction Products: 800.825.6036
Countertop Warming Products:
800.354.1970
All Other Products: 800.628.0832

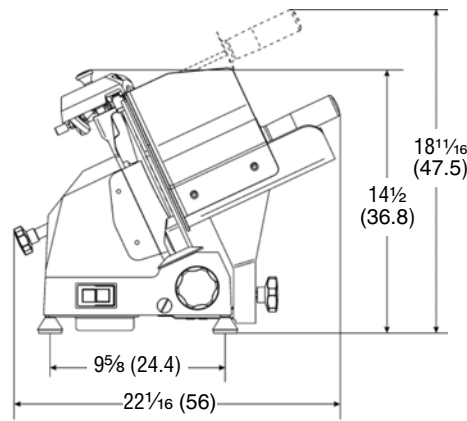
MEDIUM-DUTY ELECTRIC SLICERS

DIMENSIONS (Shown in inches (cm))

40950

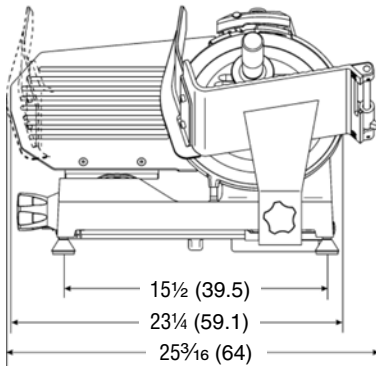


Side View

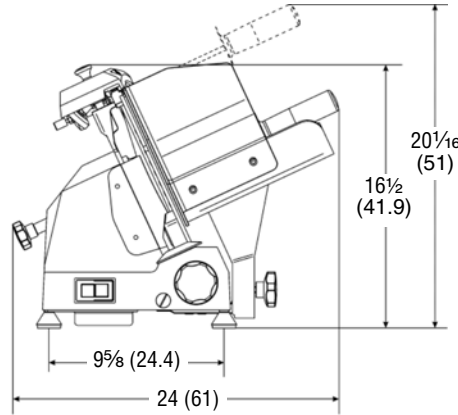


Front View

40951



Side View

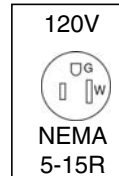


Front View

SPECIFICATIONS

| Item | Description | Peak HP | Voltage | Amps | Hertz | Weight Lbs (Kg) | Plug |
|-------|-----------------------------|---------|---------|------|-------|-----------------|-------|
| 40950 | 10" Medium-Duty Slicer, 25° | 1/3 | 120 | 2.5 | 60 | 35 (16) | NEMA |
| 40951 | 12" Medium-Duty Slicer, 25° | 2/5 | | 1.8 | | 45 (20) | 5-15P |

Receptacle



Outperform every day.™

www.vollrath.com

The Vollrath Company, L.L.C.
 1236 North 18th Street
 Sheboygan, WI 53081-3201 U.S.A.
 Main Tel: 800.624.2051 or 920.457.4851
 Main Fax: 800.752.5620 or 920.459.6573
 Customer Service: 800.628.0830

Technical Services
techservicereps@vollrathco.com
 Induction Products: 800.825.6036
 Countertop Warming Products:
 800.354.1970
 All Other Products: 800.628.0832