

Project _____

Item Number _____

Quantity _____

DR350



Screw Rounder

Models: DR350



SCREW ROUNDER

Features:

- Solid and sturdy construction
- Practically maintenance free
- Start and stop button with safety switch
- Easily replaceable screw
- Stainless steel dough output tray
- Aluminium rounding screw suitable for food contact
- Rotating wheels: 2 + 2 with brake
- 65% dough hydration max
- 3oz - 50oz dough ball capacity
- Easy to clean

Univex Corporation

Warranty:

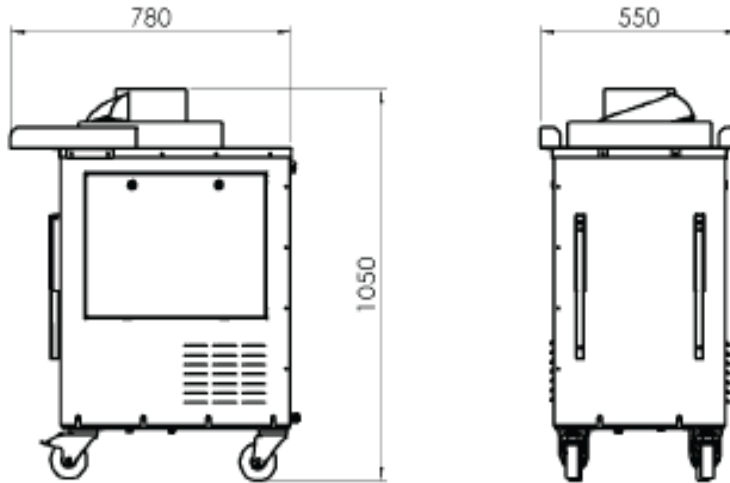
- One year parts & labor



WE RAISE THE BAR. WE SET THE STANDARD.

Screw Rounder

DR350



Electrical Information			
	Voltage	Phase	Amps
Standard	115	1	4.6

Shipping Information		
Net Weight	Shipping Weight	Overall Dimensions
370 lbs. (168Kg)	400 lbs. (182Kg)	40" (101cm) H x 33" (83cm) W x 50" (127cm) D



Univex Corporation
www.Univexcorp.com

3 Old Rockingham Rd
Salem, NH 03079
United States of America

TEL: (800)258-6358
INTL TEL: (603)893-6191
FAX: (800)356-5614
INTL FAX: (603)893-1249