

Flex your
Adaptability.

Optimize Your
Productivity.

These custom-designed Chop Stations are the perfect on-the-go stations for use in the kitchens or satellite locations. Built for efficiency, these prep table keep everything within easy reach.

STATIONS

Removable, Interchangeable
Poly Top Cutting Boards.

- Two with cut-outs



Designed To Hold
12" x 20"
Steam Table Pans



Chopper Stand (54380)

Chop + Drop

Portable station built to chop and drop. Created to increase prep work efficiency near salad bar locations.

CHOP

NEW!

Cut & Collect Table (53857)

Adapt + Adjust

This custom-designed portable Prep Table is the ideal on-the-go station for use in the kitchen or satellite locations.

- Built for efficiency, this prep table keeps everything within easy reach.

NEWAGE
INDUSTRIAL
NEWAGE

NewAgeIndustrial.com | Made in the USA

Key Features of New Age Prep Stations

When selecting a prep station, focus on these essential features:

Reduced movement: With everything in its designated spot, you eliminate frantic searches and stay in a comfortable working zone, reducing fatigue and speeding up tasks.

Minimized clutter: A clear surface allows for better focus. Designated spots for ingredients and scraps make cleaning effortless.

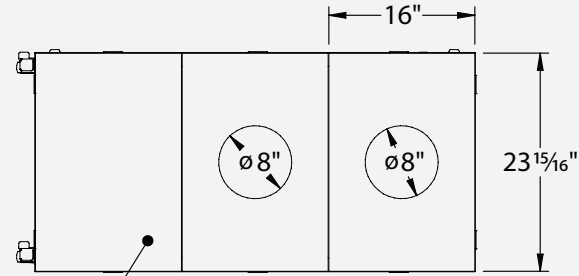
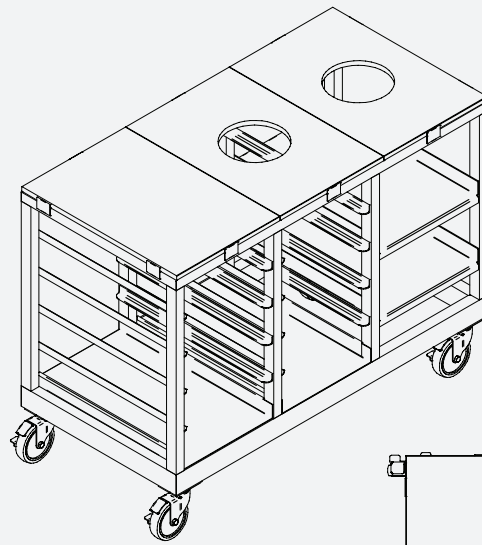
Prevents cross-contamination: Organized workflows with separate areas for raw meats and vegetables are crucial for food safety.

Creates a logical workflow: An intuitive setup, cut and collect, guides you through tasks and accelerates the process.

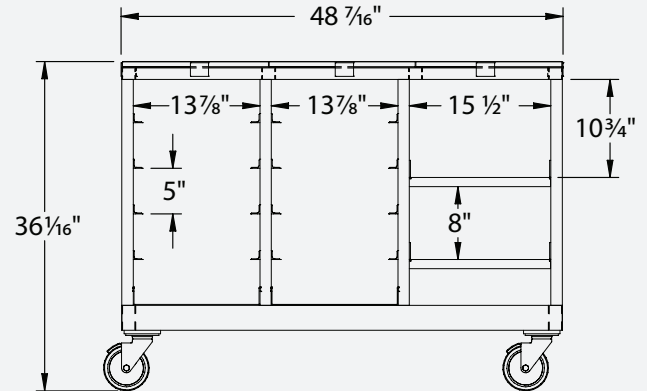
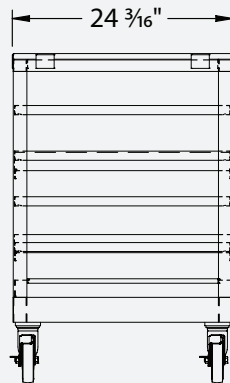
Improves focus: With less mental energy spent finding tools or remembering steps, you can concentrate on the quality of your work.

Saves time during service: Having ingredients prepped, portioned, and stored means the actual cooking process is smooth and efficient, keeping operations running and customers happy.

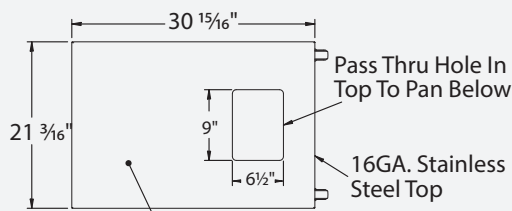
Cut & Collect Table (53857)



5/8" Thick Polytop

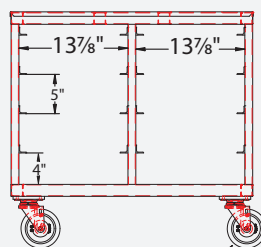


Chopper Stand (54380)



Solid Top Area For Produce Waiting To Be Chopped

Designed To Hold 12" x 20" Steam Table Pans, 4" Deep



5" Swivel, Total Locking Casters

