

Easy-Ship™ Utility Cart

Medium Duty- 500 Lb. Capacity

Lakeside's Largest Utility Cart That Ships Via UPS & FedEx Ground



Model 444ES

- Three 21" x 35" stainless steel shelves with 14" high-clearance middle shelf easily accommodates cases of product
- Durable welded stainless steel construction; easy to clean and sanitize
- Dual shelf spacing - taller 14" middle and 9" lower shelf
- Sound deadening panels under 20-gauge reinforced shelves restrict vibration and reduce noise
- Protective bumpers on legs and handle safeguard furnishings
- Based on popular Model 444 with a reduced overall height of 33½" that ships via UPS Ground and FedEx Ground

Specifications

Unit shall be of fully welded unitized construction with an overall carrying capacity of 500 pounds. Corner legs shall be of 16-gauge angle stainless steel. Shelves shall be of 20-gauge stainless steel with long shelf edges double hemmed for extra strength, and shall be electronically spot welded to upright legs at all points. Top shelf shall have 16-gauge angle reinforcements welded to long shelf edges. Unit shall have a stainless steel push handle welded to frame, and shall have corner bumpers mounted to front legs and ends of push handle. Welded assembly shall have triangular stainless steel reinforcing gussets welded to four bottom corners. Overall 33½" height allows for UPS/FedEx shipment. Unit shall have an independent galvanized steel dolly frame fastened to the bottom with 8 screws. Casters are 5" diameter all-swivel with non-marking cushion-tread wheels.

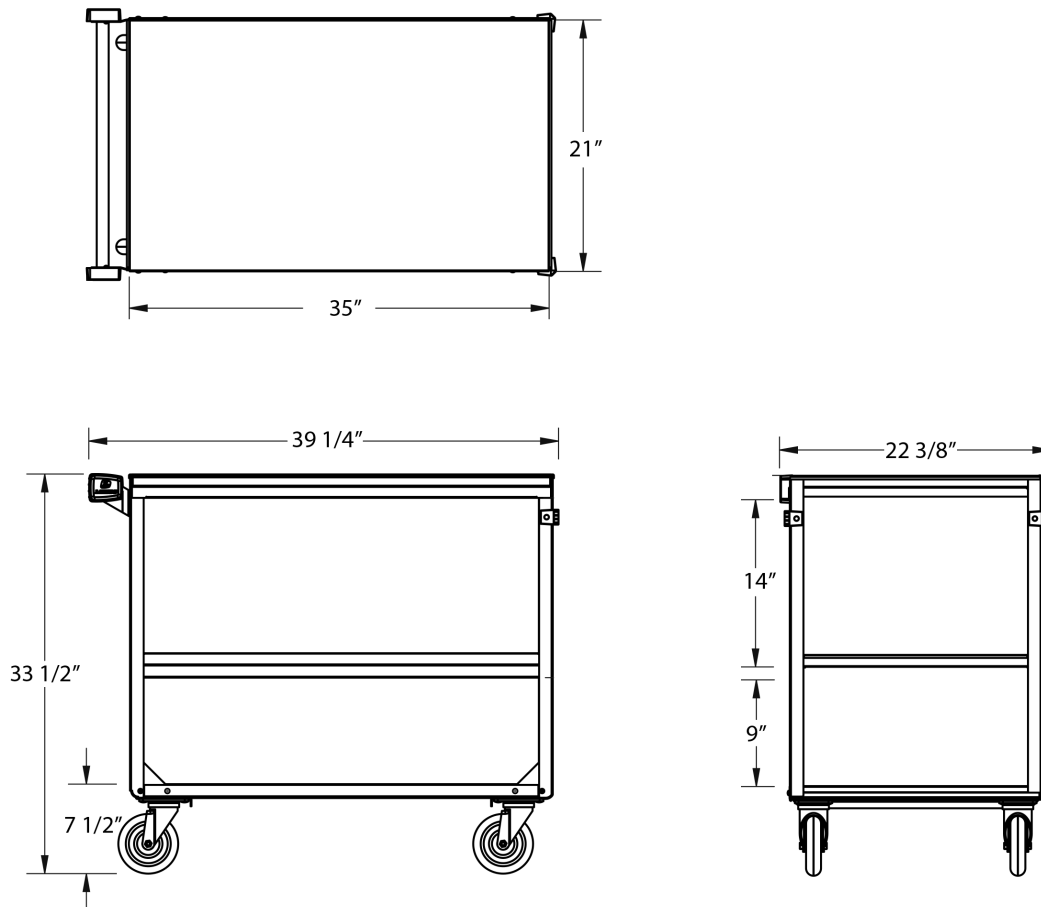
Lakeside Manufacturing, Inc.

4900 West Electric Avenue • West Milwaukee, WI 53219 U.S.A.

800-558-8565 • 414-902-6400 • Fax 414-902-6446 • info@elakeside.com • www.elakeside.com/foodservice

Easy-Ship™ Utility Cart

Medium Duty - 500 Lb Capacity



Model Information

Model	Shelves		Overall Size			Casters		Case Weight	
	Size	Clearance (C)	W	L	H	Type	Dia.	Lbs.	(kg)
444ES	21" x 35" (533 x 889)	14" (355) 9" (227)	22-3/8" (568)	39-1/4" (997)	33 1/2" (851)	All swivel	5" (127)	67	(30.3)

Measurements in () denote metric millimeters, unless otherwise specified.

Optional Accessories

- Perimeter shelf mounted strip bumper
- Set of two each brake casters
- Extended perimeter bumper
- 8" swivel casters



Lakeside Manufacturing, Inc.
4900 West Electric Avenue • West Milwaukee, WI 53219 U.S.A.
800-558-8565 • 414-902-6400 • Fax 414-902-6446
info@elakeside.com • www.elakeside.com/foodservice