

"UBDBR" UNDERBAR DRAINBOARDS

Recessed, Mounts To Other Underbar Equipment

FEATURES:

- 18GA Stainless Steel Construction
- Type 300 Stainless Steel With #4 Polish, Satin Finish
- Standard Pre-Drilled Holes On Sides For Attaching Adjacent Units Together
- Top Drain With (2) Removable Perforated Inserts
- Adjustable Stainless Steel Bullet Feet

SPECIFICATIONS:

- Top: 18GA Type 300 Stainless Steel
- Front Apron: 18GA Type 300 Stainless Steel
- Backsplash: 18GA Type 300 Stainless Steel
- Sides: 18GA Type 300 Stainless Steel
- Bolt On 1-5/8" Stainless Steel Legs For Fast Installation
- 1-1/4" Front To Back Bracing
- Z-Clip To Mount To Wall
- Bolt To Adjacent Underbar Piece
- 1-3/8" Drain
- 1" MPT 1-1/2" Long Drain Connection

CERTIFICATIONS:



UBDBR-2124



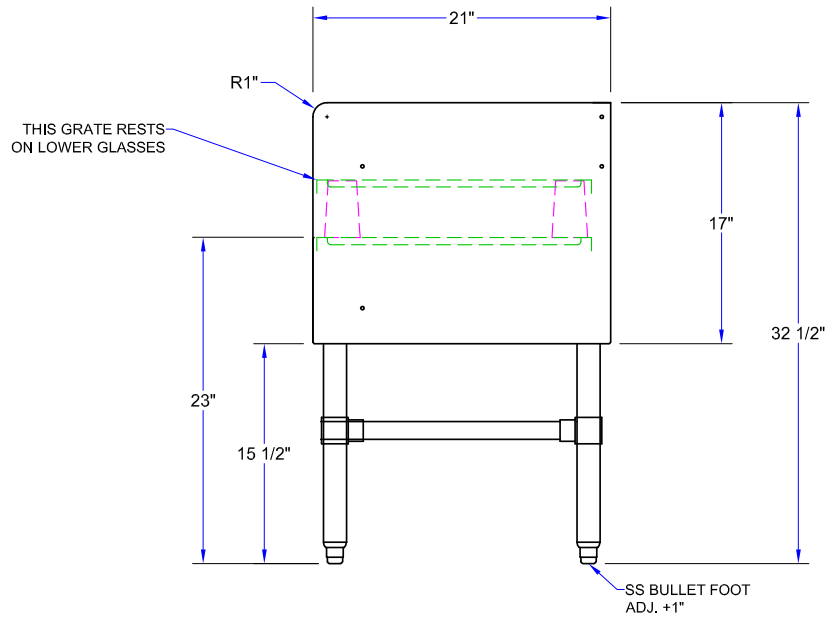
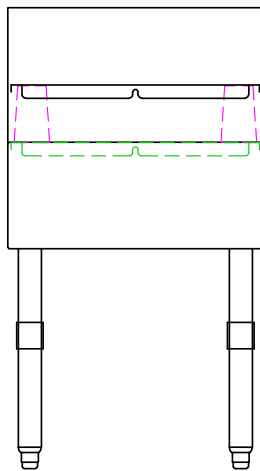
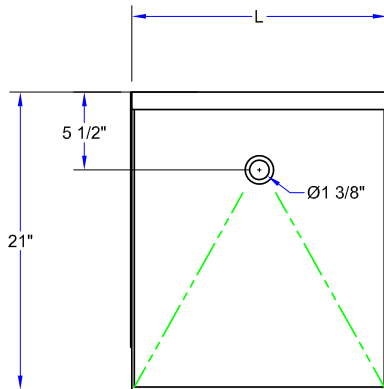
(GLASSES NOT INCLUDED)

"UBDBR" UNDERBAR DRAINBOARDS

MODEL	SIZE (LXWXH)	WEIGHT (LBS)
UBDBR-2112	12"x21"x32-1/2"	42
UBDBR-2118	18"x21"x32-1/2"	48
UBDBR-2124	24"x21"x32-1/2"	56

ALL DIMENSIONS ARE TYPICAL. TOLERANCE +/- .500". JOHN BOOS & CO. RESERVES THE RIGHT TO CHANGE SPECIFICATIONS WITHOUT NOTICE.

DETAILED SPECIFICATIONS



"UBDBR" UNDERBAR DRAINBOARDS

MODEL	SIZE (LXWXH)	WEIGHT (LBS)
UBDBR-2112	12"x21"x32-1/2"	42
UBDBR-2118	18"x21"x32-1/2"	48
UBDBR-2124	24"x21"x32-1/2"	56

ALL DIMENSIONS ARE TYPICAL. TOLERANCE +/- .500". JOHN BOOS & CO. RESERVES THE RIGHT TO CHANGE SPECIFICATIONS WITHOUT NOTICE.