



Project _____
 AIA # _____ SIS # _____
 Item # _____ Quantity _____ C.S.I. Section 114000



LXGnPR advansys CHEMICAL SANITIZING Glass Washing Machine



LXGnPR with 6" Stand



STANDARD FEATURES

- + Racks per hour – Light 38 / Normal 29
- + 1.14 gallons of water per cycle
- + PuriRinse cycle (potable water rinse to remove chemical residue)
- + AutoClean cycle washes down inside of machine at shutdown
- + User-friendly smart touchscreen controls
- + Wi-Fi connectivity
- + SmartConnect App with machine status, temperature logs, error code reporting, and usage analysis
- + Temperature and chemical alerts (lockouts available)
- + Chemical pumps with auto-prime for detergent, rinse aid, and sanitization
- + Delime notification with cycle
- + Soft start to protect glassware
- + Advanced diagnostics and service connection
- + Deep drawn stainless steel tank
- + Revolving upper and lower anti-clogging interchangeable wash arms
- + Snap-in revolving upper and lower interchangeable rinse arms
- + 2-stage wash tank filtration
- + Energy saver mode
- + Corrosion resistant pump
- + Automatic pumped rinse and drain
- + 12" door opening
- + Automatic fill
- + Electric tank heat
- + One glass/wine rack
- + 6" leg stand (ships with LXGnPR-2)
- + 14" leg stand (ships with LXGnPR-1)

OPTIONS & ACCESSORIES (Available at extra cost)

- Power cord kit
- Water hammer arrestor kit
- Splash reduction panel
- Door lock (prevents door from opening until completion of cycle)
- External height adjustable casters
- Internal height adjustable casters (3")
- Pumped drain air gap kit

SPECIFIER STATEMENT

Specified unit will be a NSF rated Advansys under-counter glass washer with PuriRinse, chemical sanitization. Up to 38 racks per hour, 1.14 gallons per cycle, AutoClean, color touchscreen with Wi-Fi and SmartConnect App connectivity, advanced diagnostics and service connection, low temperature and chemical alerts, detergent, rinse aid, and sanitizer pumps. Constructed of stainless steel.

1 year parts and labor warranty.

LXGnPR SERIES – LXGnPR advansys CHEMICAL SANITIZING

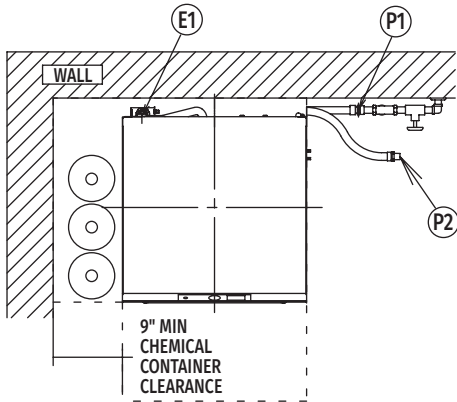
Approved by _____ Date _____ Approved by _____ Date _____



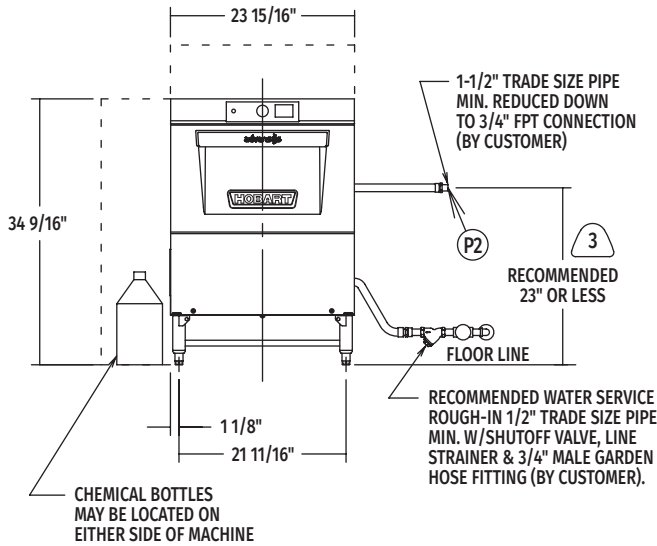
LXGnPR advansys CHEMICAL SANITIZING

Glass Washing Machine

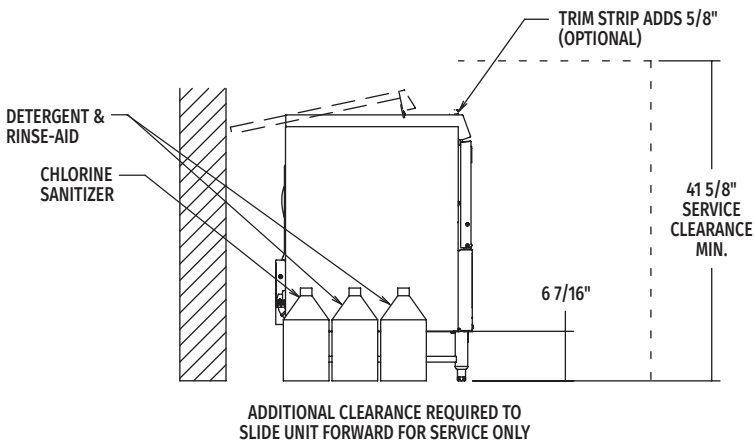
(With 6" Leg Stand)



Top View



Front View with 6" Leg Stand



Left Side View with 6" Leg Stand

LEGEND

Electrical Connections	
E1	Electrical connection: 1-3/8" dia. hole for 1" trade size conduit; 10-5/8" AFF (18-1/8" AFF with 14" stand).
Plumbing Connections	
P1	Single fill and rinse connection: 3/4" female garden hose fitting on 6' long hose supplied with machine; 120°F water minimum for LXGnPR, 140°F recommended.
P2	Common drain connection: 5/8" barb fitting with 6' long hose supplied with machine.

WARNING: Do not premix chemicals and sodium hypochlorite (liquid bleach). Mixing may cause hazardous gas to form.

WARNING: Electrical and grounding connections must comply with the applicable portions of the National Electrical Code and/or other local electrical codes.

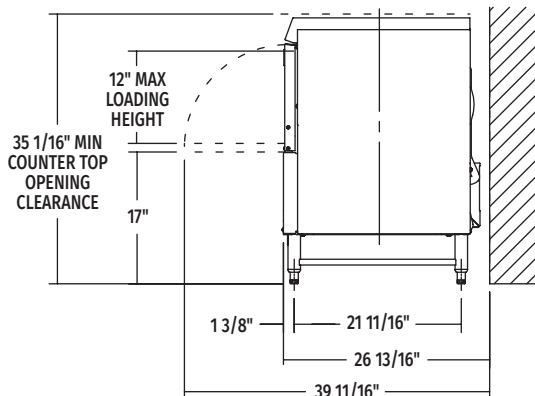
Plumbing connections must comply with applicable sanitary, safety and plumbing codes. Drain and fill line configurations vary, some methods are shown on this drawing.

(E1) STANDARD ELECTRICAL OPTIONS

Tank Heat, Booster, Pump & Controls			
Voltage	Rated Amps	Minimum Supply Circuit Ampacity	Maximum Protective Device
120/60/1	14.9	20	20

NOTE: For supply connections, use copper wire only rated at 90°C minimum.

Dishmachine not provided with internal GFCI protection.



Right Side View with 6" Leg Stand

MODEL:
LXGnPR SHORT
00-563663
REV: A3

CAD and/or Revit Files Available



LXGnPR advansys CHEMICAL SANITIZING Glass Washing Machine (With 14" Leg Stand)

SPECIFICATIONS

Capacities

Cycle Time (seconds) Light 96 / Normal 125
Racks per Hour Light 38 / Normal 29
Tank Capacity – Gallons 2.9

Motor Horsepower

Wash0.85
Rinse0.19

Water Consumption

U.S. Gallons per Cycle 1.14
U.S. Gallons per Hour (maximum use) 33.0
Peak Drain Flow – U.S. Gallons 4.0

Temperatures °F

Incoming Water Temperature
(minimum recommended) 120

Heating

Tank Heat, electric (kW) 1.8

Standard 20" x 20" Rack Complement

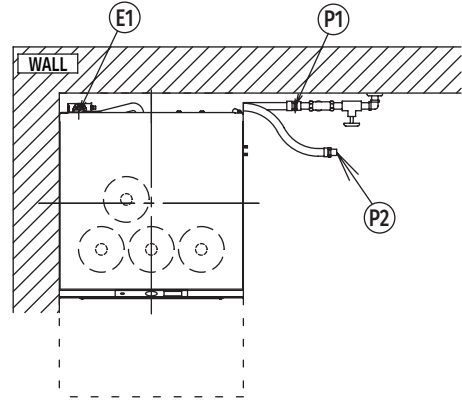
Wine/glass 1

Shipping Weight (approximate) 185 lbs.

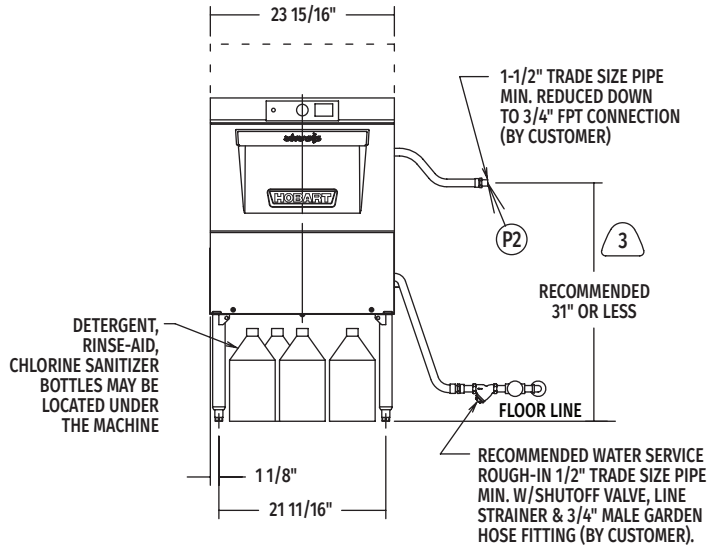
Crated Dimensions

With 6" Leg Stand 27"W x 30"L x 37"H
With 14" Leg Stand 27"W x 30"L x 45"H

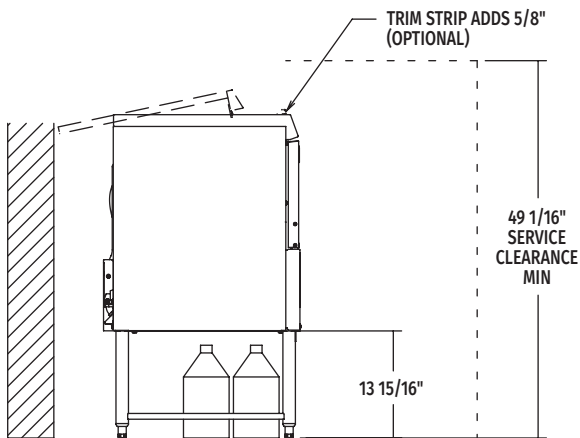
Heat Output, BTU/Hour	
Latent	Sensible
1,900	800



Top View

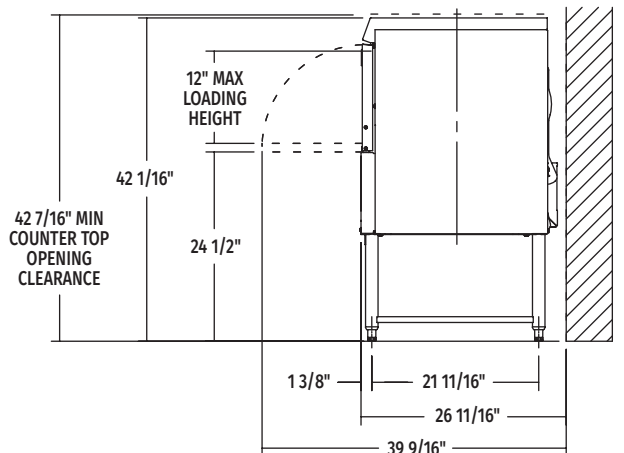


Front View with 14" Leg Stand



ADDITIONAL CLEARANCE REQUIRED TO SLIDE UNIT FORWARD FOR SERVICE ONLY

Left Side View with 14" Leg Stand



Right Side View with 14" Leg Stand

MODEL:
LXGnPR TALL
00-563663
REV: A3

CAD and/or Revit Files Available



LXGnPR advansys CHEMICAL SANITIZING Glass Washing Machine

NOTICE

Required flowing water pressure to the dishmachine is 15-65 PSIG. If pressures higher than 65 PSIG are present, a pressure regulating valve must be installed in the water line to the dishmachine (by others).

Pressure gauge not required on pumped rinse machines.

Important: The chemical containers should be placed no higher than 16" above floor (24" above floor with 14" stand).

If chemical containers are to be placed in cabinet adjacent to machine, a 1/2" dia. hole is required in the cabinet to run chemical supply line.

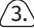
Use only 6% or 8.4% sodium hypochlorite (liquid bleach) as sanitizing chemical to insure proper operation of dishmachine.

Certain materials including silver plate, aluminum and pewter are attacked by sodium hypochlorite (liquid bleach). See instruction manual.

Notes:

1. All vertical machine dimensions taken from floor may be increased by 1/2" or decreased by 3/8".
2. Moist air escapes from the door.
Use only moisture resistant materials adjacent to dishmachine sides and top.
3. A vent hood is not recommended above the undercounter dishmachine since it does not produce excessive vapors.

Plumbing Notes:

1. Water hammer arrestor (meeting ASSE-1010 Standard or equivalent) to be supplied (by others) in common water supply line at service connection.
2. Recommended water hardness to be 3 grains or less for best results.
3.  If drain hose is looped above a sink, the loop must not exceed 44" AFF (51" AFF with 14" stand).
4. Backflow prevention provided by NSF-approved air gap device.