



Project _____
 AIA # _____ SIS # _____
 Item # _____ Quantity _____ C.S.I. Section 114000



FP41 Bowl-Style Food Processor



SPECIFIER STATEMENT

Specified unit will be an NSF rated, 4-quart, single speed Hobart bowl-style food processor with user-friendly controls and a compact design. Food processor has a durable Xylex cover, triple interlock system, and an anodized aluminum base. Stay Sharp knives cut through more product in less time and have an ideal speed on 1750 RPM which is ideal for emulsifying and pureeing foods.

MODEL

FP41 Bowl-Style Food Processor

STANDARD FEATURES

- + ¾ HP direct drive motor
- + Patented bowl scraper
- + Durable Xylex cover
- + Stay Sharp knife blades
- + Knife speed of 1725 RPMs
- + Triple interlock system
- + User friendly controls
- + Compact design
- + Anodized aluminum base

PRODUCT/APPLICATION	FP41	
Bowl Size	4 quart	
Motor Speed	¾ H.P.	
Knife/Blade Type	Stay Sharp Knives	
	CAPACITY	TIME
Mince, Chop (onions, carrots, mozzarella cheese)	2 pounds	20 seconds
Meats (fresh, steak tartare)	2 pounds	30 seconds
Dough	3 pounds	60 seconds
Breadcrumbs	1 pound	10 seconds
Parmesan (fine)	1 pound	60 seconds
Aromatic Butter	3 pounds	30 seconds
Mayonnaise	1¾ quarts	35 seconds
Tomato Sauce	1½ quarts	20 seconds

FP41 BOWL-STYLE FOOD PROCESSOR

Approved by _____ Date _____ Approved by _____ Date _____



SOLUTIONS / BENEFITS

PERFORMANCE

3/4 HP Direct-Drive Motor

- + Prevents stalling and slipping

Stay Sharp Knives

- + Wider knife blades cut through more product in less time

1725 RPM Knife Speed

- + Ideal speed for emulsifying and pureeing foods

Compact Design

- + Occupies minimal counter space
- + Handles are molded on both sides of housing to move unit easily

EASE OF USE

Xylex Cover with Bowl Gasket

- + See-through design allows continuous view of product
- + Large tube feed makes it easier to add ingredients

User Friendly Controls

- + Large control handle is on left side to leave the right hand free for ingredient feeding
- + Controls include ON, OFF and PULSE setting

Patented Bowl Scraper

- + No need to stop unit and scrape sides of bowl

SANITATION & CLEANING

Anodized Aluminum Base with See-Through Top Cover

- + Rubber feet on base prevents movement
- + Easy clean up

OPERATOR ASSURANCE

Triple Interlock System

- + Three interlocks prevent operation unless:
 1. Bowl is in place
 2. Bowl cover is in place
 3. Lid lock arm is in place

SPECIFICATIONS

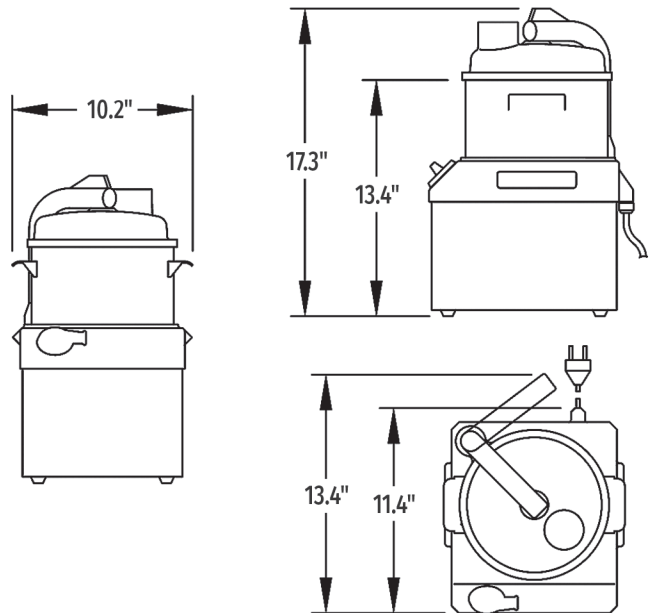
Electrical: 120/60/1, 3 conductor power cord (18 AWG) is 8 feet in length. 8 rated amps.

Motor: 3/4 HP

Switches: ON, OFF, and PULSE switch

Footprint: 10.2" W x 17.2" H x 11.5" D (13.4" D with safety arm swing)

Warranty: Unit has full one-year warranty on parts, labor and mileage against manufacturer's defects. Service contracts are available.



Plugs and Receptacles:

Machine Voltages	
Service Current Requirement if Plug Connected	110-120/60/1
	15 Amp.
Terminal Designation of Plug	2 Pole 3 Wire Grounding
NEMA Plug Configuration	5-15P
Plug Configuration	
Molded Plug on Cord	Yes
Plug - Straight/Angle	Straight
NEMA Receptacle or Connector Configuration	5-15R