



Project _____
 AIA # _____ SIS # _____
 Item # _____ Quantity _____ C.S.I. Section 114000



403 TENDERIZER

403 Tenderizer



MODEL

- 403-1 Tenderizer

STANDARD FEATURES

- + Burnished aluminum housing
- + Stainless steel knit knife blades
- + Plastic guide inside guard
- + Interlock system
- + Lift out frame
- + Cleaning fork

ACCESSORY PACKAGE

- 3/8" Strip Cutter Knives
 - + Cut flank steak, sirloin, chicken breast or pork for stir fry for fajitas; strip cut cooked ham, turkey, or cheese for chef salads or garnishes; comes with a storage holder
- Star Knives
 - + Rollers use an 11 tooth pointed star blade to produce a lighter, less dense tenderizing cut for more delicate meats



SPECIFIER STATEMENT

Specified unit is a 1/2 HP, burnished aluminum meat tenderizer that can both tenderize and cut meat into strips. Unit includes knit knife stainless steel blades and has strip cutter and star knives available as accessories. Unit features a plastic guide inside guard, interlock system and lift out unit frame for easy cleaning.

Approved by _____ Date _____ Approved by _____ Date _____

SOLUTIONS/BENEFITS

PERFORMANCE

Lower Profile with Cut-Outs

- + Meat can be inserted closer to the blades for easier and faster operation

Plastic Guides Inside Guard

- + Guide meat into knives and reduce unintentional folding

Variety of Knives Available

- + Versatility with different meats

EASE OF USE

Lower Profile with Cut-Outs

- + Meat can be inserted closer to the blades for easier and faster operation
- + Maximum thickness of meat that can be inserted is 3/4"

Translucent Guard

- + Operator can view product processing

Lift Out Unit Frame

- + Lifts out for easy cleaning

SANITATION & CLEANING

Lift Out Unit Frame

- + Lifts out for easy cleaning

Burnished Aluminum Housing

- + Easy to clean and designed to accommodate pan for holding prepped product

OPERATOR ASSURANCE

Interlock Systems

- + Will not feed if guard or motor housing are not in place

SPECIFICATIONS

Electrical: 115/60/1. Also available in 220/60/1 and 220-240/50/1 not submitted for UL listing.

Motor: 1/2 HP, totally-enclosed, fan-cooled, single-phase, capacitor-start, induction-run type

Switches: Manual 2 pole type.

Cord and Plug: 6-foot, 3-wire cord and plug for grounding. Plug not furnished on export models.

Interlock System: Interlocked on translucent guard and motor housing. Remote electro-magnetic sensing switches detect if guard or motor housing are not in place and prevent feed. Switches cannot be mechanically blocked. Integral chute in translucent guard keeps hands at safe distance from tenderizing knives. Pilot light warns when machine switch is ON even though machine is inoperable because translucent guard or motor housing is not in place.

Transmission: Hardened steel worm drives forged bronze worm gear in fluid grease bath. Counter-rotation of tenderizing knives obtained through spur gears mounted on hardened and ground alloy steel stub shafts. Gears sealed in cast transmission case. Motor, worm and gear case are an integral unit for precision mount-in and easy cleaning. Bath lubricated needle and ball anti-friction bearings in transmission case. Grease packed ball bearings in motor.

Blades & Shaft: Blades and shaft are made of heavy-duty stainless steel.

Cleaning Combs: Satin finish stainless steel, easily removable. Combs guide meat between rollers, automatically prevents any accumulation of meat between knives.

Lift Out Unit Frame: Cast aluminum with special bearings. Contains set of stainless steel shafts and cleaning combs hinged to swing free from blades for unit cleaning – combs can be removed easily. Automatic unit lock holds assembly in place.

Housing: Housing consists of cast aluminum gear case and motor housing and high impact plastic translucent guard. Lift out unit nested by cast aluminum support on stainless steel tie bars and shield. Unit designed to be quickly and easily cleaned.

Finish: Burnished aluminum and translucent plastic.

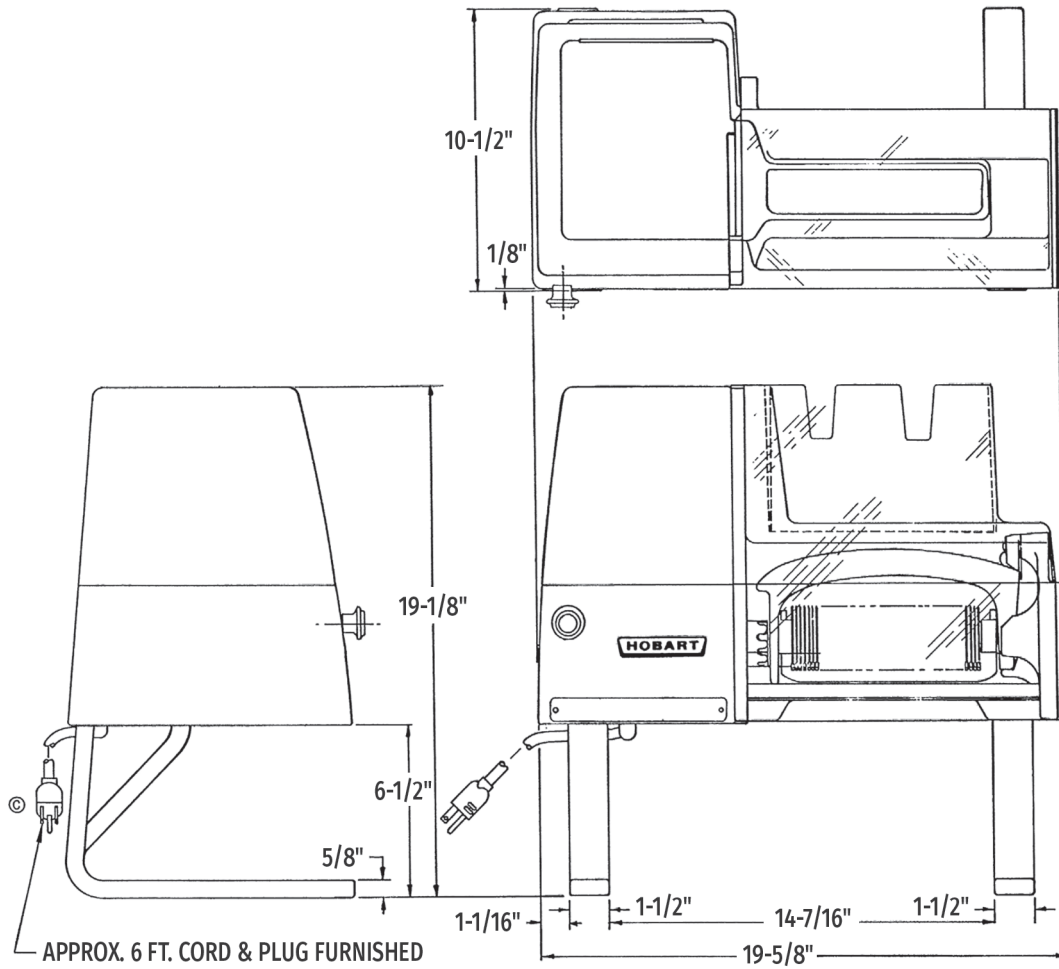
Standard Equipment: Cleaning fork.

Optional Knives: Knit (standard), star, strip cutter.


Warranty: Unit has full one-year warranty on parts, labor and mileage against manufacturer's defects. Service contracts are available.

Weight: Shipping – 66 lb.; Net - 56 lb.

DETAILS AND DIMENSIONS



Plugs and Receptacles:

Machine Voltages	
Service Current Requirement if Plug Connected	115/60/1
	15 Amp.
Terminal Designation of Plug	2 Pole 3 Wire Grounding
NEMA Plug Configuration	5-15P
Plug Configuration	
Molded Plug on Cord	Yes
Plug - Straight/Angle	Straight
NEMA Receptacle or Connector Configuration	5-15R
Power Cord Included	Yes