

Hi-Rise Tabletop Corners

Model ST1702L

Stainless Steel | 13 $\frac{3}{4}$ " D x 39 $\frac{3}{8}$ " L x 37 $\frac{1}{2}$ " H

This multilevel tabletop riser creates an instant urban landscape on any table. The accompanying glass shelves can be placed in any combination of ways, using the Hi-Rise Corners to make an eye-catching display. You'll love how easily it assembles and your guests will love the modern, sleek design.

Features

- Brushed stainless steel
- One-piece construction
- Multi-level display with a variety of setups
- Includes four (4) black glass shelves
- Sold in set of two (2) corners
- Lightweight
- Versatile
- Perfect for back bar and buffet setups
- Double sided serving accessibility



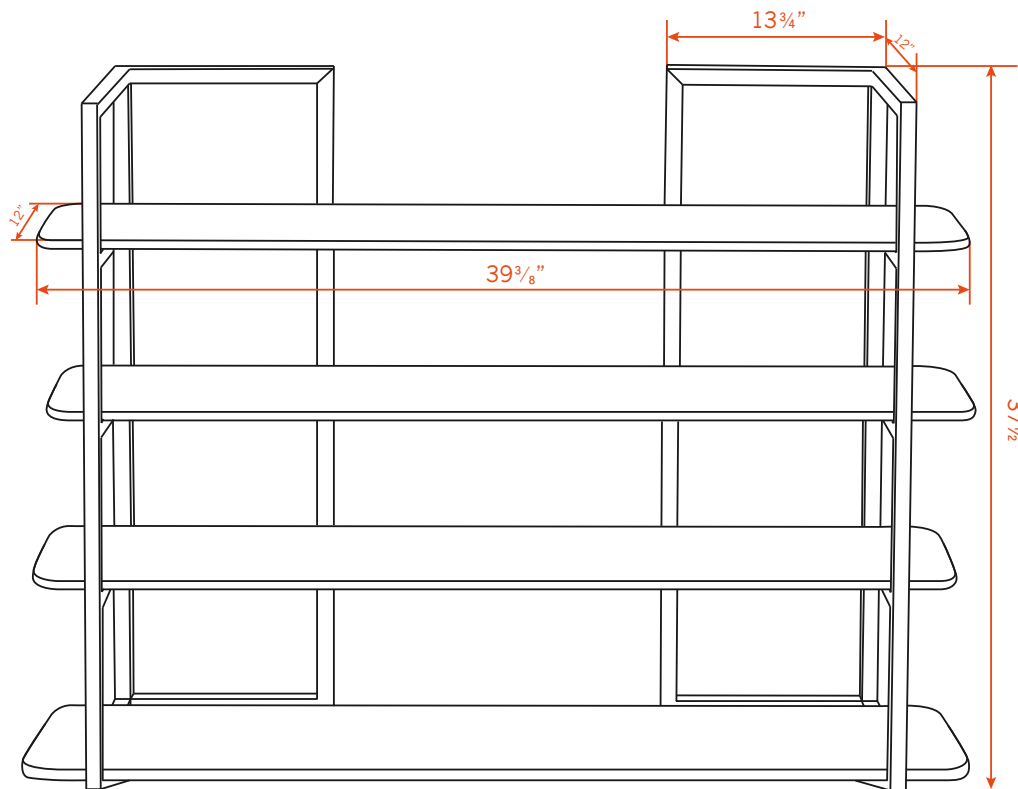
INCLUDE 4 SHELVES



HI-RISE CORNERS



NESTING FOR EASY STORAGE



If you would like to receive our full catalog, simply send us an email at sales@easterntabletop.com.