

PRODUCT NAME: \_\_\_\_\_ LOCATION: \_\_\_\_\_

ITEM: \_\_\_\_\_ MODEL: \_\_\_\_\_



## FEATURES LIST

- Cooks up to 25 one-cup servings
- Stainless steel exterior construction and lid
- Removable, non-stick coated pot
- One-button control with automated cooking process cooks and holds
- Overheat protection with manual reset
- 1600 watts for cooking rice
- Measuring cup and scoop included
- 4½-foot power cord

### Warranty

- One-year limited warranty

### For Indoor Use Only

**Electrical:**  
RC1 - 120V, 1600W, 4½-foot flexible, three-wire cord with 5-15P NEMA attached ground plug.

**Construction:** Stainless steel body and lid.

**Standard Equipment:**  
Standard equipment includes non-stick inner cooking pot, stainless steel lid, measuring cup and serving scoop.

**Temperature Controls:** This function controls cookware to a precise temperature for cooking. Do not operate cooker while empty.

**Cook and Hold:** Rice Cooker cooks rice and then holds rice at serving temperature.

**Over-heat Reset Push Button:**  
Supplied with a over-heat manual reset push button for temperature overload and safety.

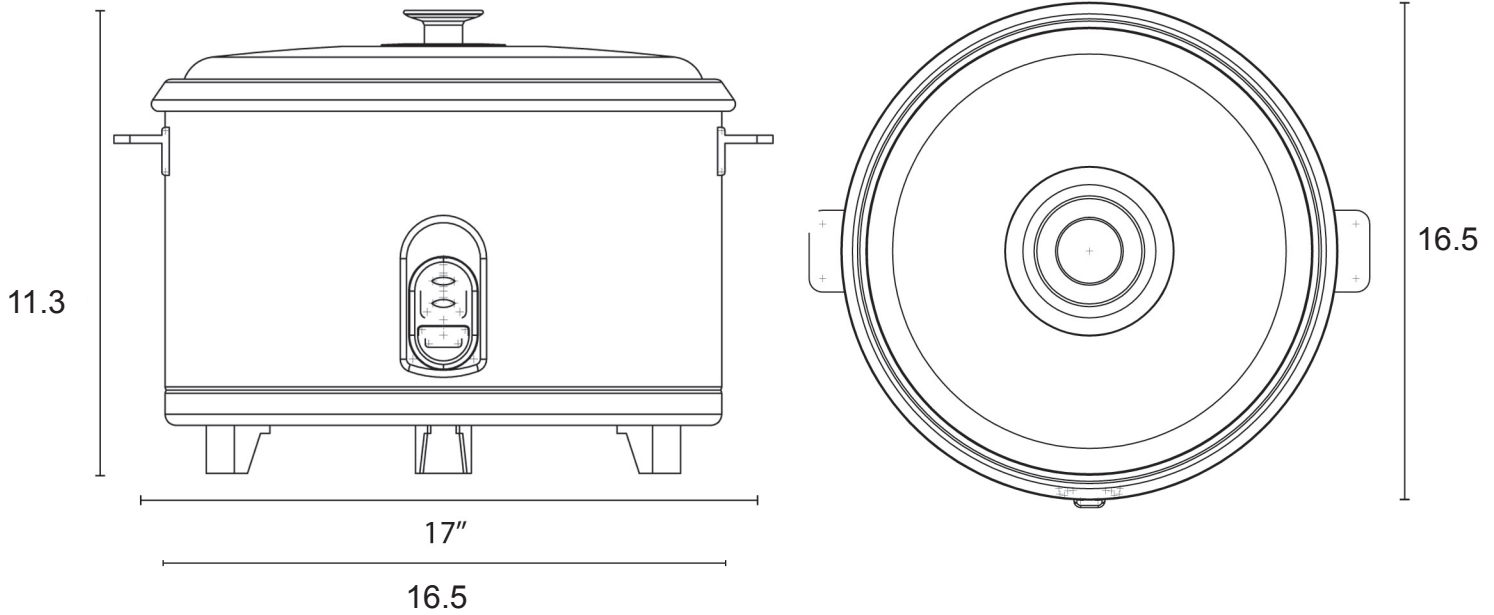
- Additional Optional Accessories**
- Lid
  - Inner pot



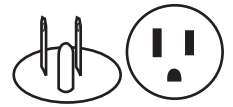
Specifications subject to change without notice

Approvals: \_\_\_\_\_

## PLAN VIEW



Plug Type - NEMA 5-15



## DIMENSIONAL DATA

|                                  |  | ABRC25   |   |  |
|----------------------------------|--|--|---|--|
| Capacity:<br>25 one-cup servings | Dimensions:<br>Foot Print = 16.5" Diameter<br>(42 cm)<br>Overall Length = 16.5" (44.5 cm)<br>Overall Width = 16.5" (42 cm)<br>Overall Height = 11.3" (29 cm) | Shipping Information:<br>Net Weight: 11 lbs (5 kg)<br>Shipping Weight: 12.2 lbs (5.5 kg) | Shipping Dimensions:<br>17" W x 17" D x 12" H<br>(43.2 cm x 43.2 cm x 30.5 cm)  |  |
|                                  |  |  | Cartons are reinforced for shipping. The weight and dimensions of this reinforced carton are included above and may vary from shipment to shipment. |  |

Printed in U.S.A. 3-2011