

PRODUCT NAME: \_\_\_\_\_ LOCATION: \_\_\_\_\_

ITEM: \_\_\_\_\_ MODEL#: \_\_\_\_\_



ABCBRM24 Radiant  
ABCBLG24 Rock  
Gas Charbroilers

*Powerful, high performance Gas Charbroilers feature dual wall construction, 40,000 BTUs in a U-shaped burner set every 12" and providing flame every 6".*

*Adjustable heavy-duty cast iron grates preserve food's natural tastes with the flavor drip edge. Available in either char rock or stainless steel radiant configurations.*

36" Manual Gas Charbroilers  
also available  
ABCBRM36 Radiant  
ABCBLG36 Rock



## FEATURES LIST

Model	Configuration	UPC
ABCBRM24	24" Radiant	669452986005
ABCBLG24	24" Rock	669452976006
ABCBRM36	36" Radiant	669452987002
ABCBLG36	36" Rock	669452977003

### SPECIFICATIONS

- Stainless steel, dual wall construction
- 24" and 36" widths
- Configure as stainless steel radiant, rock or combination
- Front access adjustable pilots
- Cool-to-touch front edge
- Heavy-duty cast iron grates adjust to angled or flat position
- Removable crumb tray
- Heavy-duty, high performance U-shaped burners (40,000 BTUs per burner)
- Unit ships Natural Gas with LP conversion kit included
- 4" heavy-duty, stainless steel legs with non-skid feet
- Regulator included

### OPTIONAL ATTACHMENTS/ACCESSORIES

Additional and replacement rock/radiant kits are available. Contact Centaur for these items.

### WARRANTY

One-year parts and labor

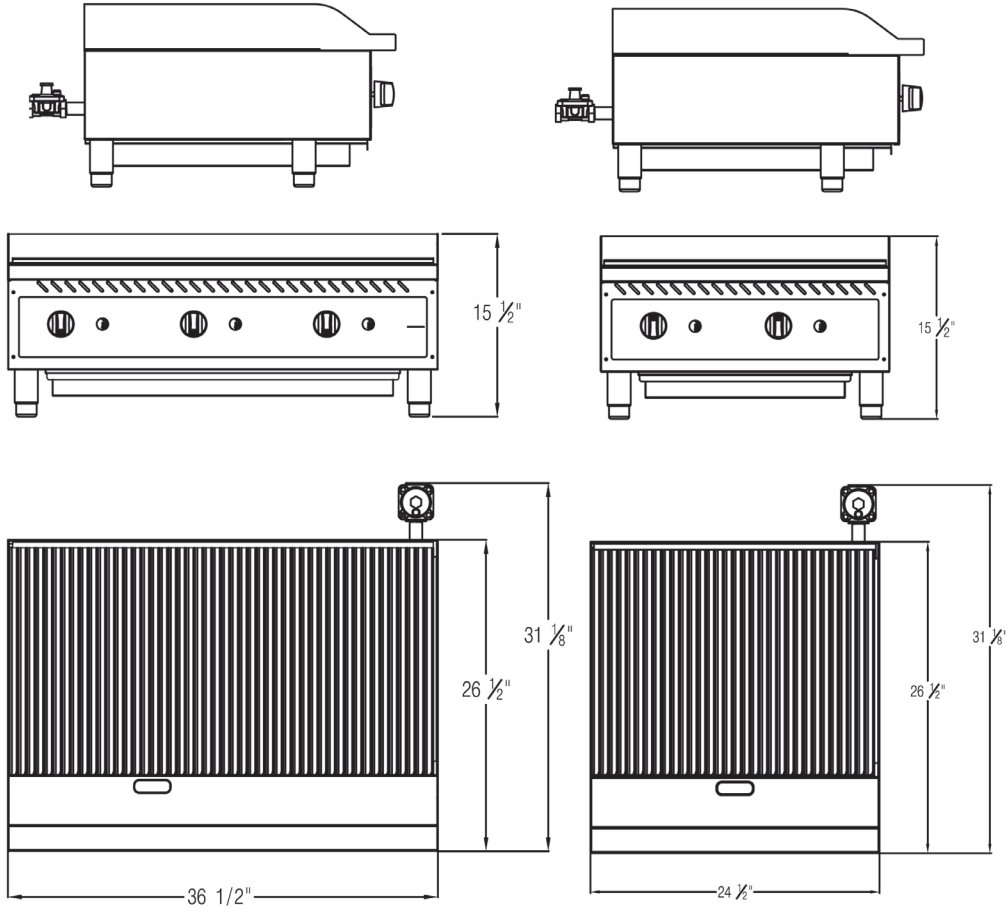
Specifications subject to change without notice

Approvals: c ETL us

## PLAN VIEW

**Models**  
 ABCBRM36 Radiant  
 ABCBLG36 Rock

**Models**  
 ABCBRM24 Radiant  
 ABCBLG24 Rock



Printed in U.S.A. 4-2012

## DIMENSIONAL DATA

Model	UPC	Cooking Area	Configuration	# of Burners	BTUs Per Burner	Total BTUs for Unit	Unit W X D X H	Shipping Weight
ABCBRM24	669452986005	448 sq. inches	24", Radiant	2	40,000	80,000	24.5" x 29" x 15.5"	153
ABCBLG24	669452976006	448 sq. inches	24", Rock	2	40,000	80,000	24.5" x 29" x 15.5"	143
ABCBRM36	669452987002	672 sq. inches	36", Radiant	3	40,000	120,000	36.5" x 29" x 15.5"	220
ABCBLG36	669452977003	672 sq. inches	36", Rock	3	40,000	120,000	36.5" x 29" x 15.5"	209

Gas products ship Natural Gas ready and are field convertible to Liquid Propane gas. Cast iron grates, rock/stainless steel radiants, gas regulator, crumb tray, and LP conversion kit included in shipment.



40,000 BTUs per burner