

Project: _____

Item: _____

Quantity: _____

Dish Zone - Mobile Bussing Station



54238

Note: Glass racks, bus tubs, trash cans, custom signs and any other accessories are not included and must be purchased by end user.



54238



54239



Dish Zone Mobile Bussing Station

Designed in collaboration with industry experts, the Dish Zone Mobile Bussing Station is a game-changer for food service establishments, the perfect blend of style and functionality. This versatile, durable solution is tailored to meet the unique and ever-changing needs of busy restaurants, cafeterias, patios, outdoor dining facilities, catering companies, and event centers.

Unmatched Durability and Mobility

Crafted from sturdy aluminum, our Mobile Bussing Stations are built to last, even in the most demanding commercial environments. The lightweight yet robust design ensures seamless navigation, allowing you to effortlessly roll the entire cart to the kitchen or cleanup area in a single trip. This eliminates the need for multiple trips, significantly improving efficiency.

- Dedicated shelves with 13" spacing for bus tubs and soiled utensils.
 - Holds bus tubs measuring 20" x 15" x 7 or smaller. Tubs not included.
- Durable and easy-to-clean stainless steel top placed at a 39" ergonomic counter height.
- Slanted T-bar upper shelf for organized storage of glassware and dish racks.
 - Holds glass/dish racks measuring 19¾" W x 19¾" L and other miscellaneous items.
- Equipped with four 6" plate type heavy duty swivel casters, these units are built to be loaded up and pushed around.
- **Lifetime Guarantee** against rust and corrosion.
- **Five-Year Guarantee** against material defects and workmanship.

New Age Industrial Corp., Inc. || NewAgeIndustrial.com || Made in the USA

PO Box 520 • 16788 US Hwy 36 • Norton, Kansas 67654 || Phone: (800) 255-0104 • (785) 877-5121 || Fax: (877)-877-7687 • (785) 877-2616

This information is for general sales and engineering use only. New Age Industrial reserves the right to modify or make changes at any time, without notice, to materials and specifications.

Project: _____

Item: _____

Quantity: _____

Dish Zone - Mobile Bussing Station

► Dish Zone - Mobile Bussing Station

Model No.	Size D-H-L	Ship Lbs.
TWO BIN		
54239	24" x 65 3/8" x 46 1/2"	170
THREE BIN		
54238	24" x 65 3/8" x 68"	253

Four 6" plate type swivel casters with brake.

Options:

Signage - Contact factory for more information.

Capacities: listed items are not included.

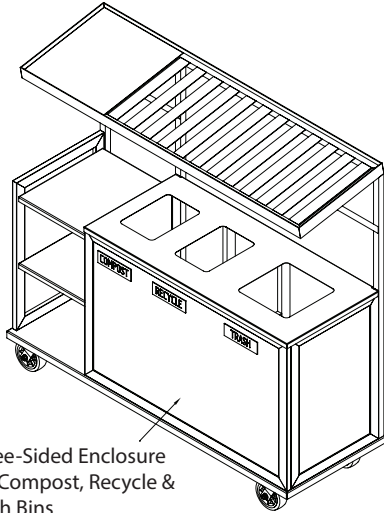
2-Bin Model 54239:

- (3) Bus Tubs - 20"D x 15"W x 7"H or smaller
- (2) Glass Racks (or misc. items) - 19 3/4"W x 19 3/4"L
- (2) 23-Gallon slim trash cans:
 - 11 1/8"D x 29 5/8"H x 20 1/8" (top), 16 7/8" (bottom) W.

3-Bin Model 54238:

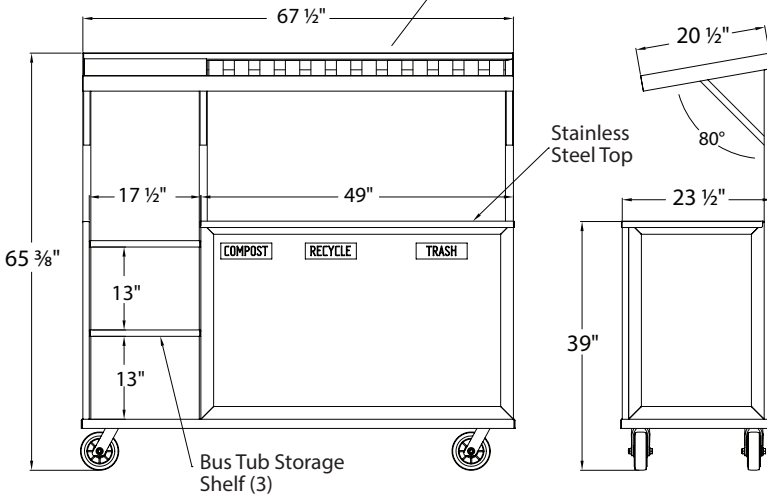
- (3) Bus Tubs - 20"D x 15"W x 7"H or smaller
- (2) Glass Racks (or misc. items) - 19 3/4"W x 19 3/4"L
- (2) 23-Gallon slim trash cans:
 - 11 1/8"D x 29 5/8"H x 20 1/8" (top), 16 7/8" (bottom) W.
- (1) 35-Gallon square trash can:
 - 19 1/4"D x 27 5/8"H x 19 1/4"W

Note: Glass racks, bus tubs, trash cans, custom signs and any other accessories are not included and must be purchased by end user.



Three-Sided Enclosure For Compost, Recycle & Trash Bins

Slanted Storage Shelf For Glass Racks & Misc. Items



65 3/8"

67 1/2"

17 1/2"

49"

13"

13"

Bus Tub Storage Shelf (3)

39"

Stainless Steel Top

20 1/2"

80°

23 1/2"



New Age Industrial Corp., Inc. || NewAgeIndustrial.com || Made in the USA

PO Box 520 • 16788 US Hwy 36 • Norton, Kansas 67654 || Phone: (800) 255-0104 • (785) 877-5121 || Fax: (877)-877-7687 • (785) 877-2616

This information is for general sales and engineering use only. New Age Industrial reserves the right to modify or make changes at any time, without notice, to materials and specifications.