



Solid Door Reach-In Freezers



Grista's Solid Door Reach-In Freezers are constructed of a heavy duty stainless steel exterior making them strong and durable enough to survive any kitchen environment. The cooling units are bottom mounted and slide out for easy maintenance and cleaning. All models come with 4" casters and plastic coated wire shelving that is easily removable to adjust the shelf height. The front digital controllers and LED readout makes it easy to adjust the interior temperature. These models are ETL Listed and ETL Sanitation. They are backed with a 1 year warranty on parts and labor and a 5 year warranty on the compressor.

Product Features

- Easy to clean 430 series stainless steel exterior
- Painted white aluminum interior
- Digital temperature control ranges 33-40°F in refrigerators and -7°F - 0°F in freezers
- 3 epoxy coated corrosion resistant shelves with 90 lb. capacity each
- Self-closing door with stay open feature beyond 90°
- Bottom mounted condensing unit positioned for easy maintenance
- Preprogrammed digital control featuring auto defrost cycle
- Foamed in place insulation helps provide strength while helping to maintain internal temperature
- Eco-friendly R290 hydrocarbon refrigerant
- Ships complete with casters

GRFZ-1D



GRFZ-2D



Specifications

Model Number	GRFZ-1D	GRFZ-2D
Doors	1	2
Shelves	3	6
Net Volume (Cu. Ft.)	23 Cu. Ft.	48 Cu. Ft.
Overall Dimensions (in)	29"W x 32"D x 82"H	54"W x 32"D x 82"H
Interior Dimensions (in)	24"W x 27"D x 60"H	49"W x 27"D x 60"H
Horsepower	3/4	1
Refrigerant	R290	R290
Voltage/Hertz/Phase	115/60/1	115/60/1
Amps	7.1	10.7
Net Weight (lbs)	287 lbs	474 lbs
Gross Weight (lbs)	346 lbs	525 lbs
Shipping Dimensions (in)	31"L x 35"W x 83"H	56"L x 35"W x 83"H

CALL FOR MORE INFO: 1.800.223.7750

VISIT: www.admiralcraft.com



by



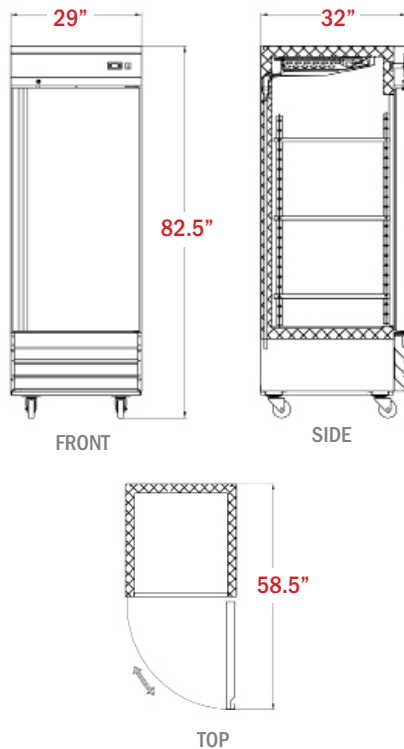
Admiral Craft

Equipment Corp.

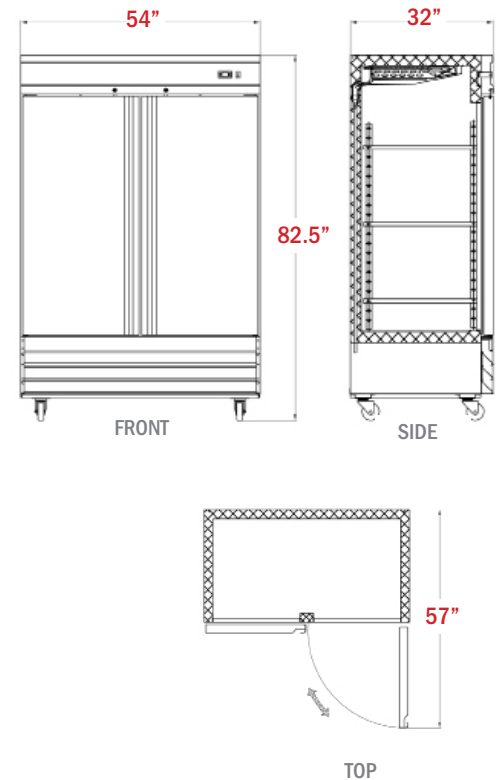
Solid Door Reach-In Freezers

Plan Views

GRFZ-1D



GRFZ-2D



Features

Cooling System

- Freezer units use environmentally friendly R290 refrigerant and maintain a temperature range of 33°F - 40°F
- Bottom mounted cooling unit slides out for easy cleaning and maintenance and allows for storage area on top of the unit
- Rugged built axial evaporator fans run efficiently with low velocity and high volume air flow

Electrical Control

- Electric LED temperature controller provides a digital display of cabinet temperatures and allows for easy temperature adjustments when necessary
- Temperature controller initiates automatic defrost schedule for worry free use
- 7 foot power cord with NEMA 5-15 plug



Cabinet Construction

- Exterior is constructed of 430 stainless steel including the doors
- Interior is constructed of a painted aluminum liner
- The cabinet is insulated throughout with a foamed-in-place high density cell polyurethane insulation

Door(s)

- Stainless steel exterior with aluminum liner on the inside
- Positive self-closing doors with microswitch that shuts the evaporator fans off when the door is open
- Recessed handles are built into the door for easy opening and closing
- Locking door keep items inside secure after hours
- Stainless steel doors are field reversible

Shelving

- Adjustable plastic coated steel shelves that have a load capacity of up to 90 lbs per shelf

Model Features

- Incandescent interior lighting activated by door switch
- 4" casters come standard on all stainless steel models. 2 locking wheels and 2 non-locking wheels.

CALL FOR MORE INFO: 1.800.223.7750

VISIT: www.admiralcraft.com